

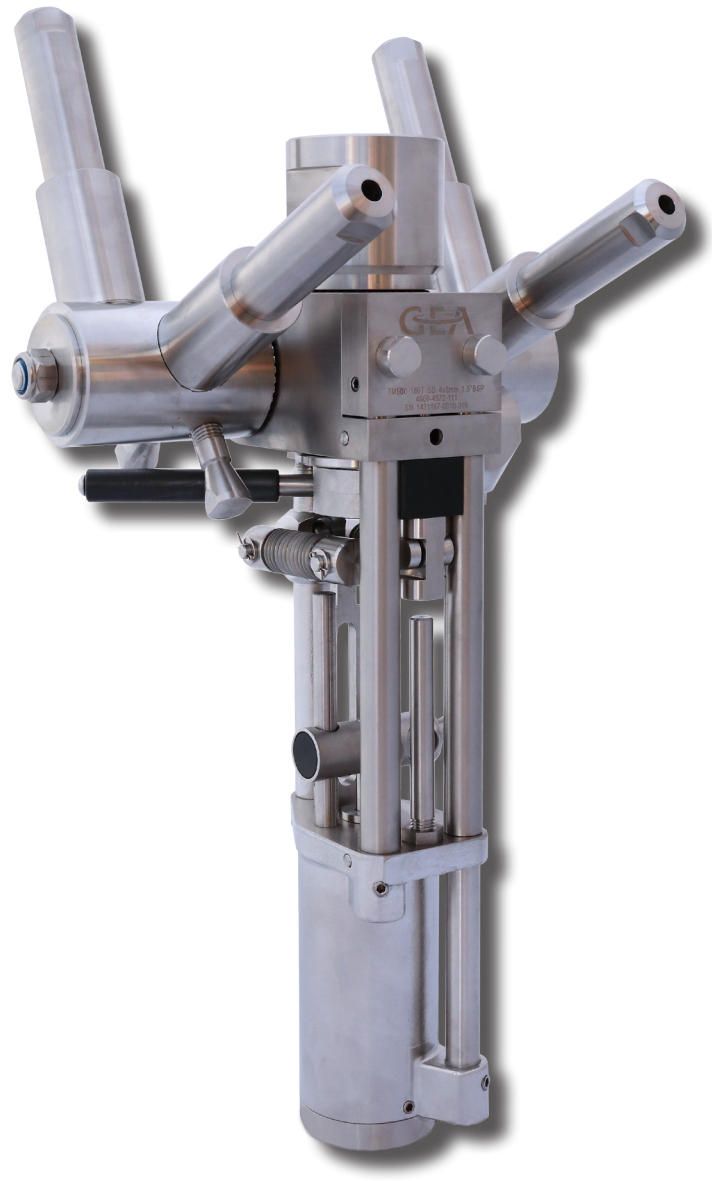
Tankmaster - AUTOMATED STORM TANKWASHER

The TANKMASTER orbital cleaning heads are specially designed for the water service industries where they are used within open or closed storm tanks to remove solids that are left following a storm event.

The Tankmaster units were developed so that they can be operated by a jetter van or truck for remote operation, or run from a boosted final effluent or potable water supply.

This allows water service companies to maintain your assets and keep unwanted smells to a minimum without operators having to enter confined spaces. Civil's are also dramatically reduced in new designs as low ceiling heights can be used.

The Tankmaster is ideally suited to effectively clean the walls as well as the tank floor and can be cleaned at any time day or night and especially following EVERY storm event.



Key Benefits

- **Powerful cleaning action** Removes soil, fats and screenings efficiently from tank benching and walls.
- **Fully automatic operation** No operator intervention needed.
- **Effective odour control** Tank will be left free of odorous material
- **Ideal for retention sewers** Highly cost effective solution to cleaning systems that would normally require man entry.
- **Very low operating life cost** Highly efficient wash operation and practically maintenance free gives low Total-Cost-Of-Ownership.

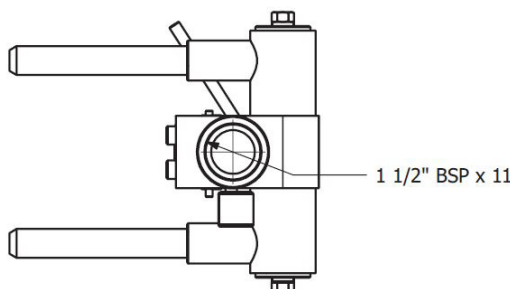
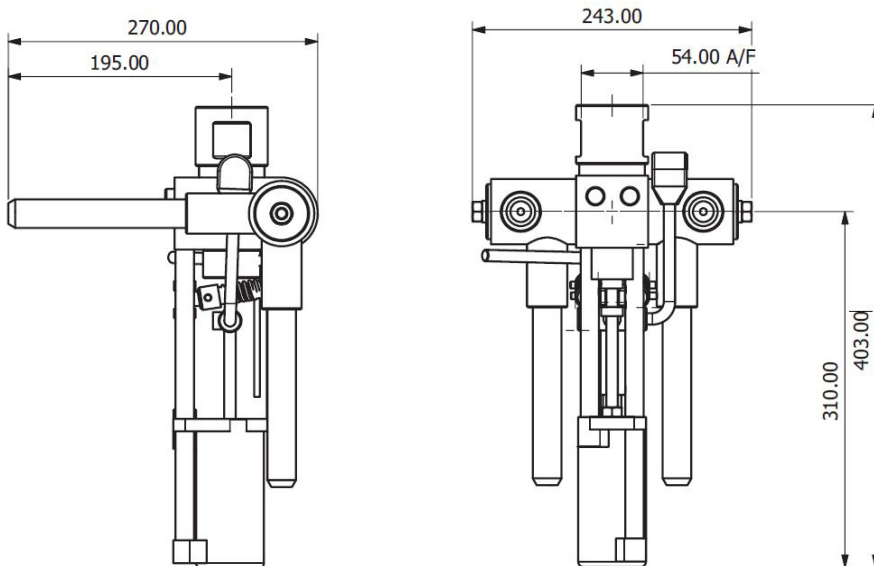
Operation

Unique in the industry, the TANKMASTER utilises high accuracy nozzles to apply wash water directly to the soiled tank surface. The unit progressively indexes as it sweeps the jets over the tank forcing the soil to be lifted off and washed into the pump chamber. Units can be installed on tripods, davits on circular or rectangular tanks or ceiling mounted within retention sewers. Any size of tank can be accommodated.

Technical Specifications

| | |
|---------------------------|----------------------------------|
| Materials of construction | 316 stainless steel. C-PEEK. |
| Weight | 9.5 kg |
| Inlet connection | 1-1/2" BSPP |
| Water source | Final effluent or portable water |

Dimensions



Performance

| Tankmaster 600 - Cleaning Diameter 20 METRES | | |
|--|-----------------|------------------------------|
| Nozzle Dia. | Pressure (Bar) | Flow m ³ Per Hour |
| 4 x 8 mm | 6 | 28 |
| | 8 | 35.5 |

Due to the companies policy of continued product improvement change may be made without prior notice.